

CEQUENCE

CEQUENCE DOUBLE SIDED TOP OF WALL

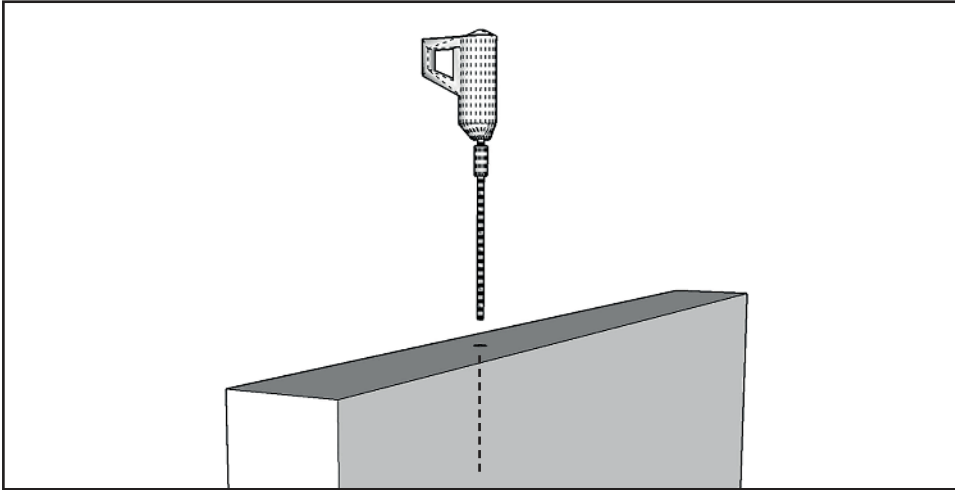


INSTALLATION MANUAL

C E Q U E N C E

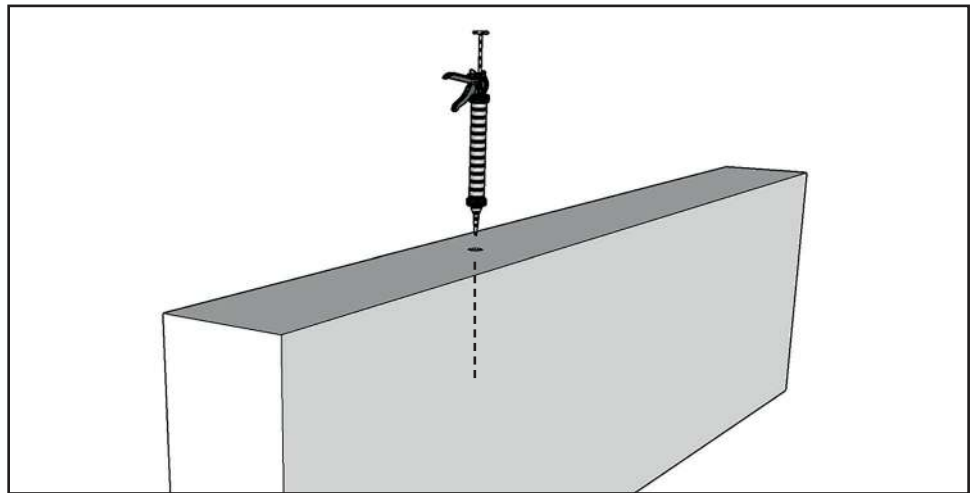
1

Drill top of brick or block wall with 28mm core bit to a depth of 200 - 300mm to suit metal fixing stud.



2

Apply two part resin chemical fixing into hole

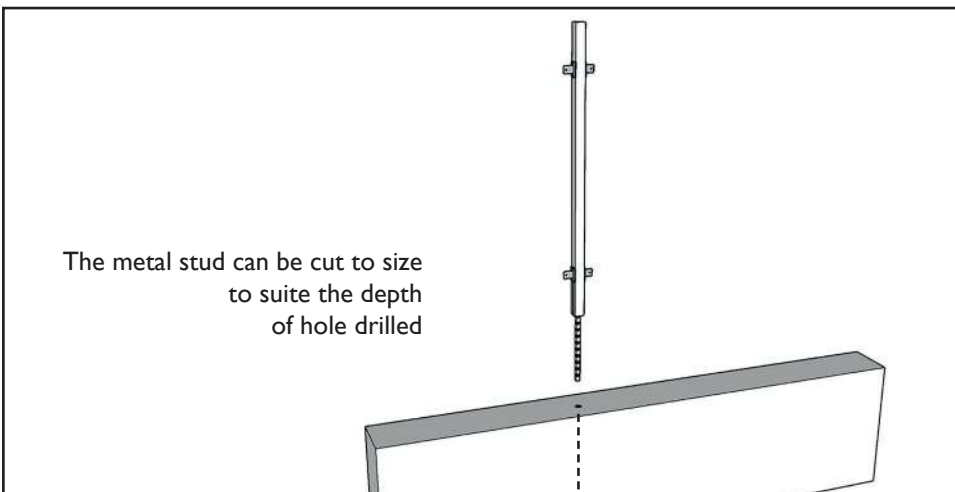


3

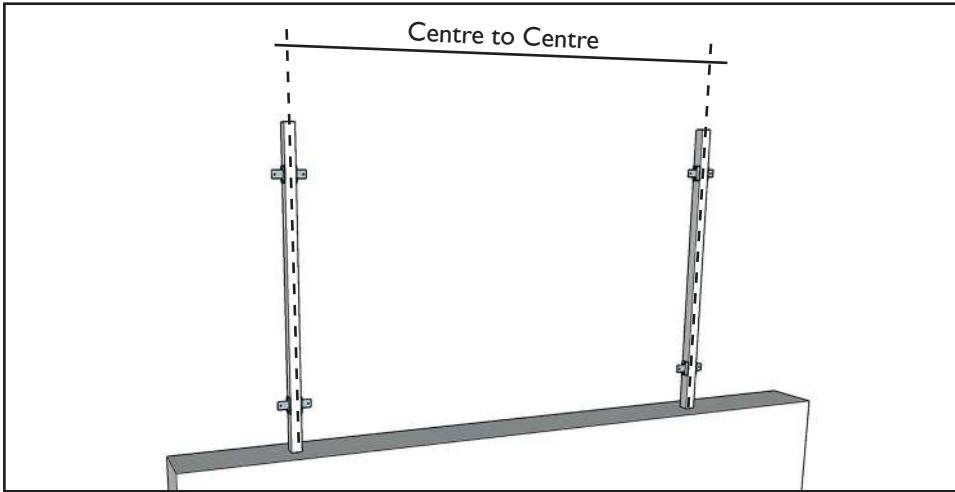
Fit double sided top of wall Post with metal fixing stud into hole.

Posts are available at:-
300mm high
600mm high
900mm high
1200mm high

The metal stud can be cut to size to suite the depth of hole drilled



CEQUENCE



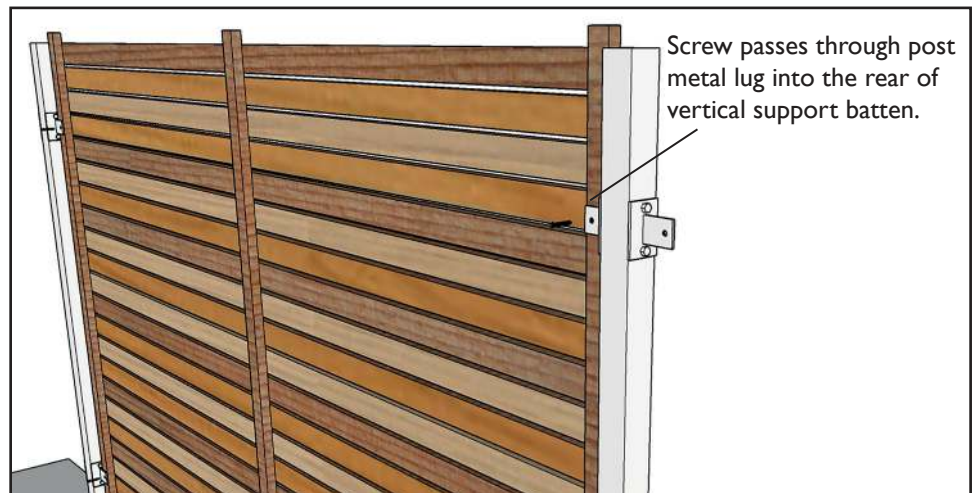
4

Position of post centres to be equal to the width of the fence panel to be installed.

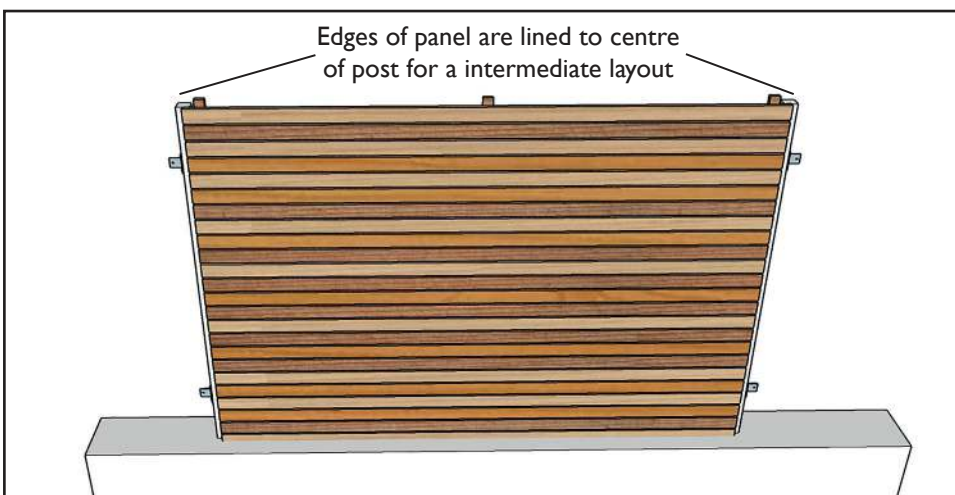
When at the end of a fence run the panel should end on the outer edge of a post.

5

Attaching the first panel side to the double sided post

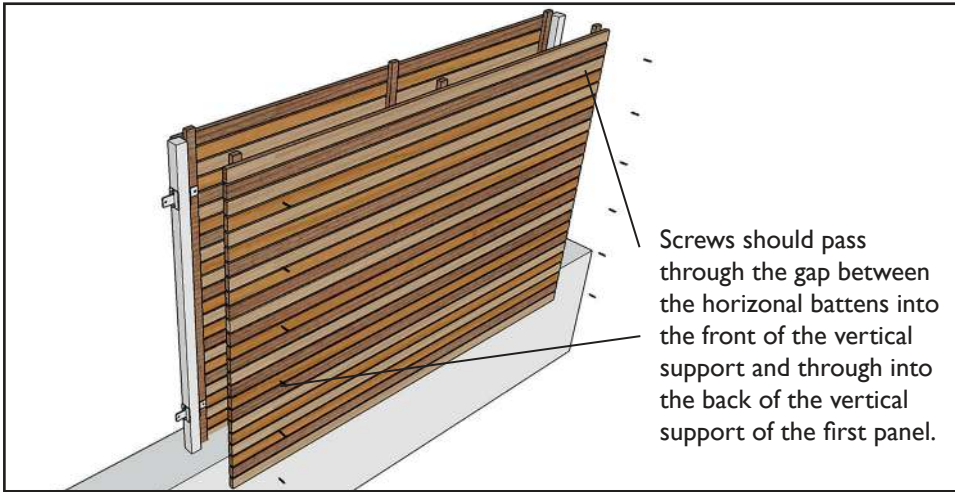


6



Intermediate panels are fixed midway to the front of the post. For end of a fence run the panel should be fixed on the outer edge of a post.

C E Q U E N C E



7

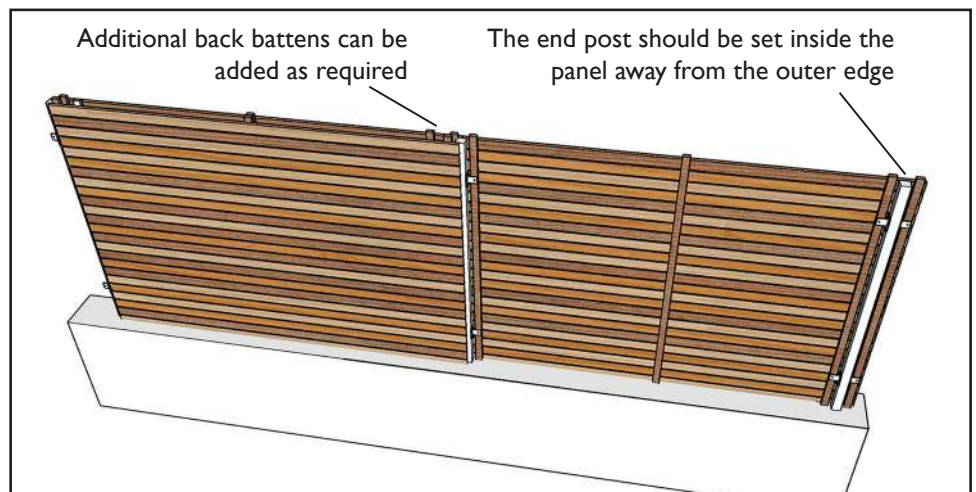
Attaching the second panel side to the double sided post.

The second panel is fixed against the first panel encapsulating the post.

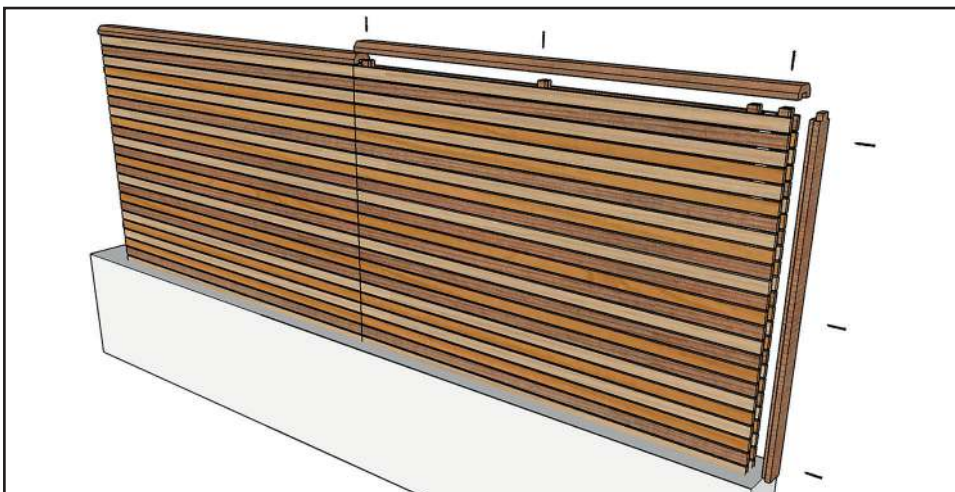
Use 30mm stainless steel screws every four battens.

8

End Panel



9

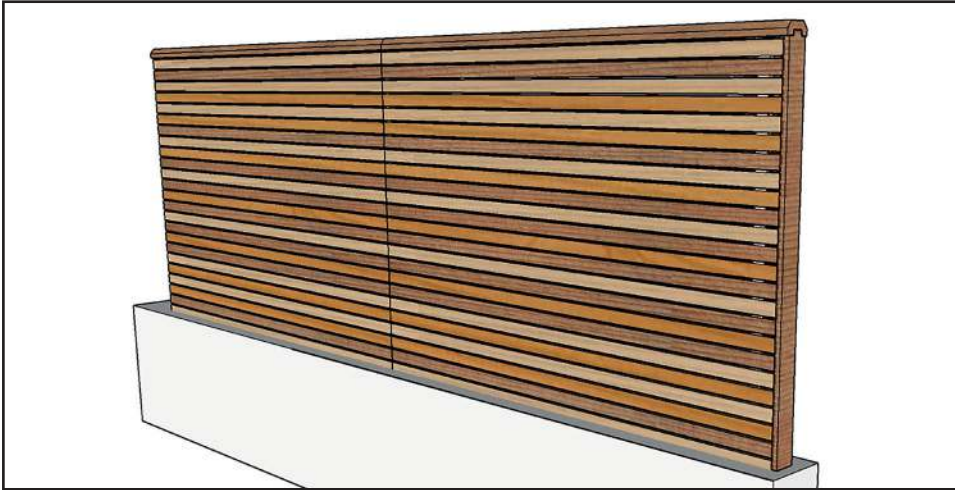


The Capping Rail is pushed down onto the top of the back batten upstands.

3off 63mm cedar coloured powder coated stainless steel screws should be used to fix the capping rail into position.

10

Completed double sided
top of wall panel



Sample panels showing
square edge cedar slats,
bevel edge slats also
available.

Both types available with
or without hit & miss
arrangement.

Top of wall post fixings
shown with metal stud or
foot plate options.